

# MOE'S

home collection

## **ASSEMBLY INSTRUCTIONS.**

CLOVER DINING CHAIR BLACK

**EH-1108-02**



THANK YOU FOR YOUR PURCHASE!

## PARTS AND HARDWARE.



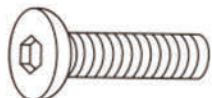
Ax1



Bx1



Cx4  
M6x16 mm



Dx4  
M6x25 mm



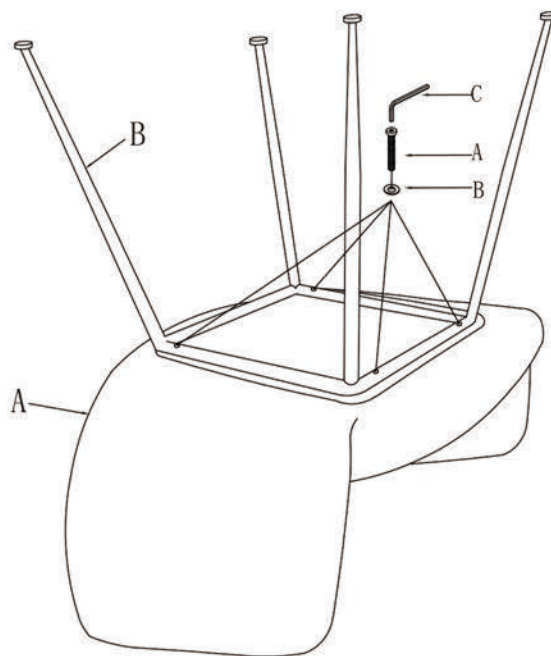
Ex1  
M4

## NOTES.

Thank you for purchasing this quality product! Be sure to check all packing material carefully for small part that may have come loose inside the carton during shipping.

**CAUTION:** Please assembly this product on a padded surface to reduce the risk of scratching to the product or your work surface.

## STEP 1.



## STEP 2.

